

Angelucci 20th Century

'SLIMLINE' LOUNGE RANGE



Inspired by the classic, minimal and clean-lined 1950s lounges by iconic designers such as George Nelson and Florence Knoll, the Slimline Lounge system comprises 3 standard pieces – sofa, armchair and ottoman.



FEATURES

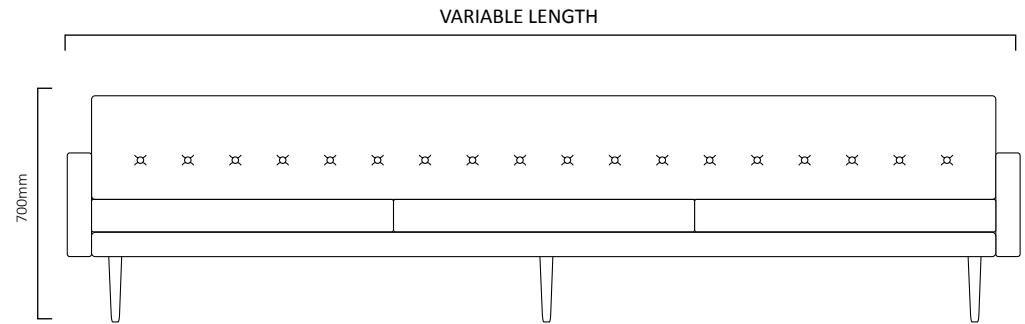
- Australian designed & made
- Australian hardwood frame
- Latex inner for fabric cushion
- Foam with feather wrap for leather cushions
- Large selection of fabrics
- Tapered or dowel legs



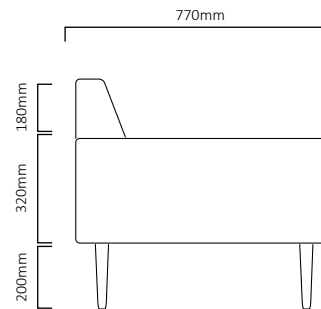
OPTIONS

- Variable length & depth
- Natural or coloured legs
- Armchair
- Ottoman / Gallery bench
- Corner suites

SPECIFICATIONS:



LOW ARM TO FRONT



Angelucci 20th Century

www.angelucci.net.au

@angelucci20thcentury / #angelucci20thcentury

Fitzroy Store (All Slimline enquiries)

113 Smith St. Fitzroy, VIC 3065, Australia
P. +61 (0)3 9415 8001 E. fitzroy@angelucci.net.au
Open 7 days: Mon – Sat 10am - 6pm / Sun 11am - 5pm

Brunswick Warehouse Showroom

73 Weston St Brunswick, VIC 3056 Australia
P. +61 (0)3 90296149 E. info@angelucci.net.au
Open Fri 12 - 5 + Sat 10 - 5 / Closed Sun/ By app Mon – Thurs