

Angelucci 20th Century

'HOLLYWOOD' LOUNGE RANGE



The classic lines, extra depth, and sumptuous cushions of the HOLLYWOOD range may be just the touch of glamour your living space needs. Inspired by luxurious 1950's lounges by the likes of Florence Knoll and Edward Wormley, the HOLLYWOOD range is a plush combination of understated elegance and comfort.



FEATURES

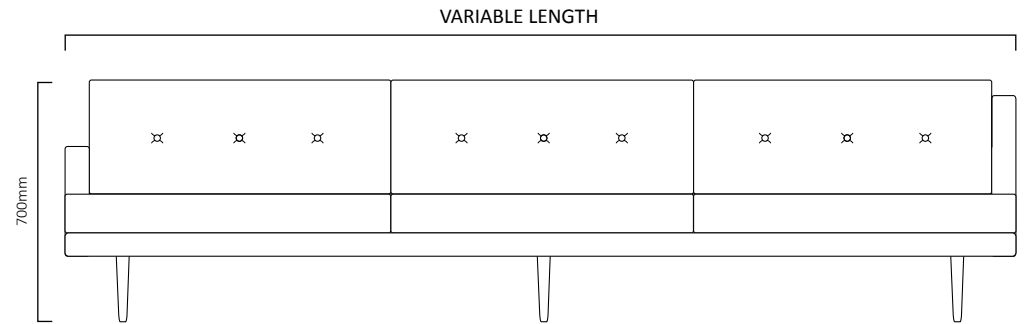
- Australian designed & made
- Australian hardwood frame
- 'Platinum' foam cushions
- Deep-button detail
- Large selection of fabrics
- Tapered or dowel legs



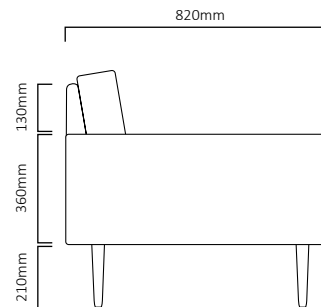
OPTIONS

- Variable length & depth
- Natural or coloured legs
- Armchair
- Ottoman / Gallery bench
- Corner suites

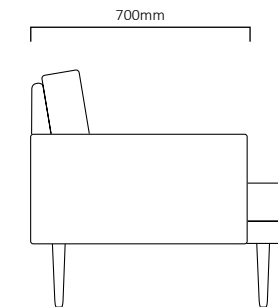
SPECIFICATIONS:



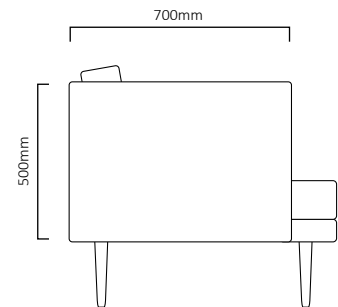
LOW ARM TO FRONT



LOW ARM + T CUSHION




FULL HEIGHT ARM + T CUSHION



Angelucci 20th Century

www.angelucci.net.au

 @angelucci20thcentury / #angelucci20thcentury

Fitzroy Store (All Hollywood enquiries)
113 Smith St. Fitzroy, VIC 3065, Australia
P. +61 (0)3 9415 8001 **E.** fitzroy@angelucci.net.au
Open 7 days: Mon – Sat 10am - 6pm / Sun 11am - 5pm

Brunswick Warehouse Showroom
73 Weston St Brunswick, VIC 3056 Australia
P. +61 (0)3 90296149 **E.** info@angelucci.net.au
Open Fri 12 - 5 + Sat 10 - 5 / **Closed Sun / By app** Mon – Thurs